

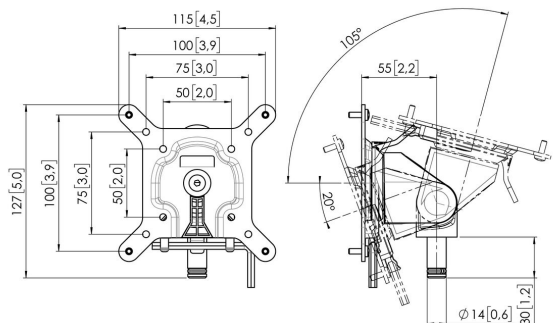
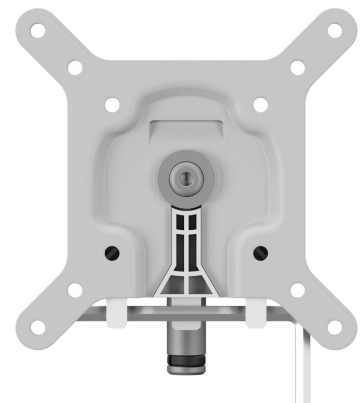


MOMO C501 Monitor Interface Component, Motion and Motion Plus (white)

Key Benefits

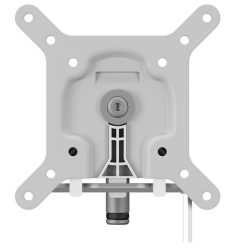
- Height Adjustable
- Suitable for one, two or a whole series of monitors
- Easy to assemble without tools
- Flexible modular system
- TÜV certified / 10-year guarantee

Build your ideal monitor arm. The MOMO C501 Monitor Interface Component is part of MOMO Motion and Motion +. Specially designed for mounting your monitor. Suitable for monitors with a VESA of 50x50, 75x75, and 100x100. This monitor interface allows you to turn, rotate, and tilt your monitor. Endless possibilities. Create a multi-monitor set-up with just a few components. Including both straight and angled positions. MOMO monitor arm accessories and components are installed using just one allen (hex) key, cleverly integrated into the product. So you'll always have the right tool at hand.





MOMO C501 Monitor Interface Component, Motion and Motion Plus (white)



Specifications

Article number (SKU)	7165011
Colour	White
EAN single box	8712285354649
TÜV certified	Yes
Tilt	Tilt -20°/+105°
Rotate	left 90° / right 90°
Guarantee	10 years
Max. screen size (inch)	43
Universal or fixed hole pattern	Fixed

VOGEL'S HOLDING BV (©)

All rights reserved.
Subject to printing errors,
technical and price
amendments.

Date: 2023-06-16



Vogel's. For Sure.